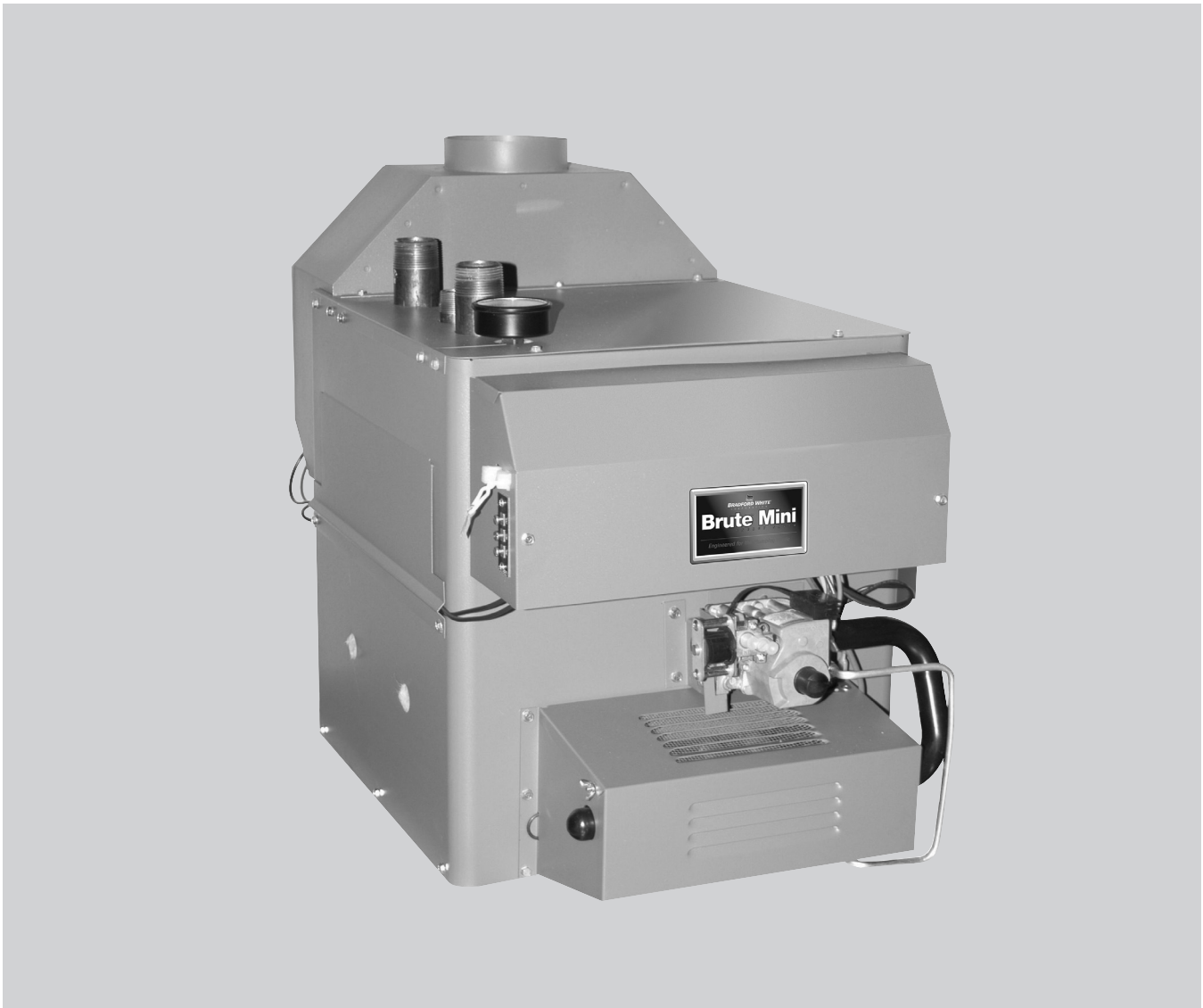


**Brute Mini Hydronic Boilers**  
Indoor 50,000 - 225,000 BTU/Hr.  
Up to 85+% AFUE



The unit will be designed and constructed in accordance with the ASME Boiler and Pressure Vessel Code Section IV requirements for 30 psi working pressure. The units will bear the ASME "H" stamp and be registered by the National Board.



**20-Year Limited Heat Exchanger Warranty / 1-Year Limited Warranty on Component Parts.**

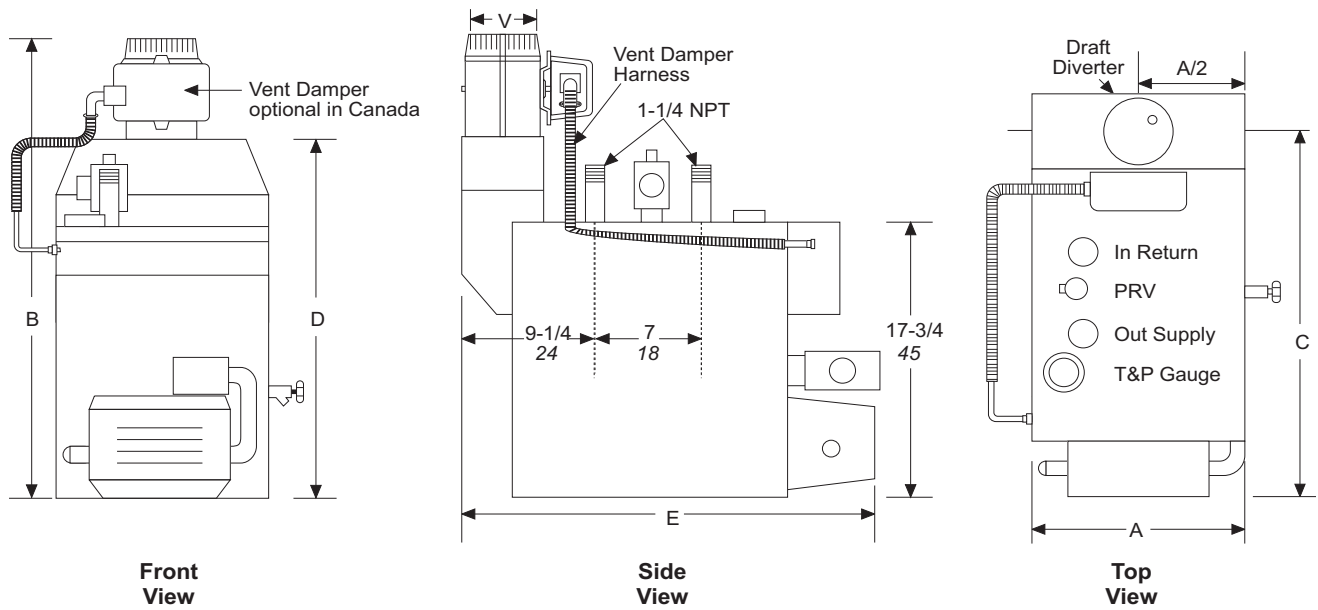
For more information on warranty, please visit [www.bradfordwhite.com](http://www.bradfordwhite.com)

For products installed in USA, Canada and Puerto Rico. Some states do not allow limitations on warranties.

See complete copy of the warranty included with the heater.

MANUFACTURED UNDER ONE OR MORE OF THE FOLLOWING U.S. PATENTS: 5,682,666; 7,634,976; 5,660,165; 5,954,492; 6,056,542; 6,935,280; 5,372,185; 5,485,879; 5,574,822; 7,971,560; 7,992,526; 6,684,821; 6,442,178; 7,334,419; 7,866,168; 7,270,087; 7,007,748; 5,596,952; 6,142,216; 7,699,026; 5,341,770; 7,337,517; 7,665,211; 7,665,210; 7,063,132; 7,063,133; 7,559,293; 7,900,589; 5,943,984; 8,082,888; 5,988,117; 7,621,238; 7,650,859; 5,761,379; 7,409,925; 5,277,171; 8,146,772; 7,458,341; 2,262,174. OTHER U.S. AND FOREIGN PATENT APPLICATIONS PENDING. CURRENT CANADIAN PATENTS: 2,314,845; 2,504,824; 2,108,186; 2,143,031; 2,409,271; 2,548,958; 2,112,515; 2,476,685; 2,239,007; 2,092,105; 2,107,012.

# Brute Mini Hydronic Boiler Specifications



Dimensions shown in inches cm

## Dimensions

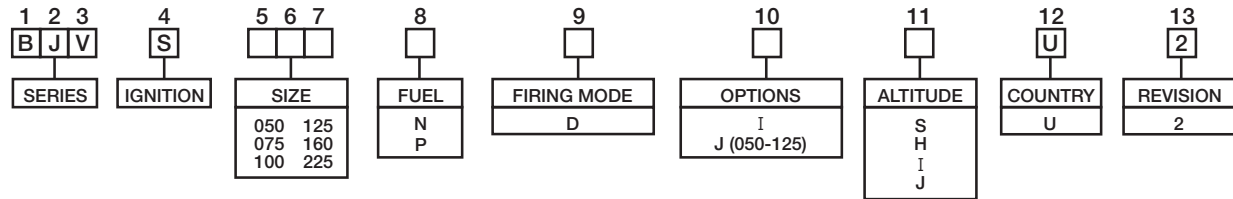
Model Number	A	B	C	D	E	V	Connections NPT Size	
							Water in.	Gas in.
BJVS050	13 <sup>3</sup> / <sub>8</sub>	27 <sup>3</sup> / <sub>4</sub>	23 <sup>5</sup> / <sub>8</sub>	21 <sup>3</sup> / <sub>4</sub>	26 <sup>1</sup> / <sub>2</sub>	4	1 <sup>1</sup> / <sub>4</sub>	1 <sup>1</sup> / <sub>2</sub>
BJVS075	13 <sup>3</sup> / <sub>8</sub>	27 <sup>3</sup> / <sub>4</sub>	24 <sup>1</sup> / <sub>8</sub>	21 <sup>3</sup> / <sub>4</sub>	27 <sup>1</sup> / <sub>2</sub>	5	1 <sup>1</sup> / <sub>4</sub>	1 <sup>1</sup> / <sub>2</sub>
BJVS100	16 <sup>7</sup> / <sub>8</sub>	28 <sup>3</sup> / <sub>4</sub>	24 <sup>1</sup> / <sub>8</sub>	22 <sup>3</sup> / <sub>4</sub>	27 <sup>1</sup> / <sub>2</sub>	5	1 <sup>1</sup> / <sub>4</sub>	1 <sup>1</sup> / <sub>2</sub>
BJVS125	16 <sup>7</sup> / <sub>8</sub>	28 <sup>3</sup> / <sub>4</sub>	23 <sup>5</sup> / <sub>8</sub>	22 <sup>3</sup> / <sub>4</sub>	27 <sup>1</sup> / <sub>2</sub>	6	1 <sup>1</sup> / <sub>4</sub>	1 <sup>1</sup> / <sub>2</sub>
BJVS160	20 <sup>3</sup> / <sub>8</sub>	28 <sup>3</sup> / <sub>4</sub>	23 <sup>5</sup> / <sub>8</sub>	22 <sup>3</sup> / <sub>4</sub>	27 <sup>1</sup> / <sub>2</sub>	6	1 <sup>1</sup> / <sub>4</sub>	1 <sup>1</sup> / <sub>2</sub>
BJVS225	25 <sup>5</sup> / <sub>8</sub>	31 <sup>1</sup> / <sub>2</sub>	23 <sup>1</sup> / <sub>4</sub>	24 <sup>3</sup> / <sub>4</sub>	27 <sup>1</sup> / <sub>2</sub>	7	1 <sup>1</sup> / <sub>4</sub>	3 <sup>3</sup> / <sub>4</sub> *

Model Number	A	B	C	D	E	V	Connections NPT Size	
							Water cm	Gas cm
BJVS050	34	71	60	55	67	10	32	1.2
BJVS075	34	71	61	55	70	13	32	1.2
BJVS100	43	73	61	58	70	13	32	1.2
BJVS125	43	73	60	58	70	15	32	1.2
BJVS160	52	73	60	58	70	15	32	1.2
BJVS225	65	80	59	63	70	18	32	1.9*

\*1/2 inch (1.2 cm) for propane.

# Brute Mini Hydronic Boiler Specifications



## Model Character Designation

### (1-3) Model Series Designation

BJV = Brute Mini

### (4) Ignition

S = Spark

### (5-7) Size

050 = 50,000 BTU/Hr. Input  
 075 = 75,000 BTU/Hr. Input  
 100 = 100,000 BTU/Hr. Input  
 125 = 125,000 BTU/Hr. Input  
 160 = 160,000 BTU/Hr. Input  
 225 = 225,000 BTU/Hr. Input

### (8) Fuel

N = Natural Gas  
 P = Propane

### (9) Firing Mode

D = On/Off

### (10) Options

I = No Pump (Standard)

### (11) Altitude

S = (0 - 2,000) Natural or (0 - 5,000) Propane  
 H = (2,001 - 5,000) Natural  
 I = (5,001 - 8,000) Natural and Propane  
 J = (8,001 - 10,000) Natural and Propane

### (12) Country

U = USA & Canada

### (13) Revision

2 = Second Revision

## Sizing Data

Model Number	Input		Output		AFUE %	Shipping Weight	
	NG/LP BTU/Hr.	kW	NG/LP BTU/Hr.	kW		lbs.	kg.
BJVS050	50,000	14.6	43,000	12.6	85.0	120	54
BJVS075	75,000	21.9	64,000	18.8	85.0	126	57
BJVS100	100,000	29.1	85,000	24.9	85.0	134	61
BJVS125	125,000	36.6	106,000	31.1	85.0	138	63
BJVS160	160,000	46.8	136,000	39.9	85.0	164	74
BJVS225	225,000	65.9	191,000	56.0	85.0	181	82

## Clearances

Model	Minimum Clearances							
	Left & Right Sides, Rear		Front		Flue		Top	
	in.	cm	in.	cm	in.	cm	in.	cm
BJVS050	6	15	4	10	6	15	23	58
BJVS075	6	15	4	10	6	15	23	58
BJVS100	6	15	4	10	6	15	23	58
BJVS125	6	15	4	10	6	15	23	58
BJVS160	6	15	4	10	6	15	36	91
BJVS225	6	15	4	10	6	15	36	91

# Brute Mini Hydronic Boiler Specifications

## Standard Features

- PI Controller
- Outdoor reset with ratios of 0.4 to 3.6
- Warm Weather Shutdown (WWSD)
- Domestic Hot Water Operation (DHW)
- Indicator lights for power, heat call, DHW call and WWSD
- Automatic boiler differential
- Pump pre-purge, post-purge and exercise
- Codes for sensor errors
- Venting: built-in draft diverter
- Design certified/tested by CSA International
- Natural or propane gas
- Maximum working pressure: water 30 P.S.I., ASME rated
- Hydrostatic test pressure at factory: 60 P.S.I.
- Maximum gas supply pressure: Natural 10.5" W.C.; Propane 13" W.C.
- Pressure relief valve: capacity in excess of boiler input rating
- Material specifications per Section IV, ASME Code
- Headers: cast iron per ASME requirements
- Tubes: copper with integral formed external fins
- Main burners: aluminized steel
- Air supply: natural aspiration
- Altitudes: 0–10,000 ft.
- Spark to pilot ignition
- 30 PSI ASME pressure relief valve
- Electrical: 115V-60Hz-1PH less than 12 amperes 24V transformer mounted and wired
- Pump relay: standard
- Vent damper and wire harness
- Blocked vent safety switch (B.V.S.S.)
- Flame rollout safety switch
- 85+% AFUE
- 20-Year Limited Warranty

## Accessories

- Power Venter
- Thermostatic Union
- 20 Gallon Buffer Tank

---

*Dimensions and specifications subject to change without notice in accordance with our policy of continuous product improvement.*



Ambler, PA

For U.S. and Canada field service, contact your professional installer or local Bradford White sales representative.

Sales 800-523-2931 • Fax 215-641-1670 / Technical Support 800-334-3393 • Fax 269-795-1089 • Warranty 800-531-2111 • Fax 269-795-1089

International: Telephone 215-641-9400 • Telefax 215-641-9750 / [www.bradfordwhite.com](http://www.bradfordwhite.com)

 **BRADFORD WHITE-CANADA** INC. Sales / Technical Support 866-690-0961 / 905-238-0100 • Fax 905-238-0105 / [www.bradfordwhite.com](http://www.bradfordwhite.com)

## Built to be the Best™

©2015, Bradford White Corporation. All rights reserved.